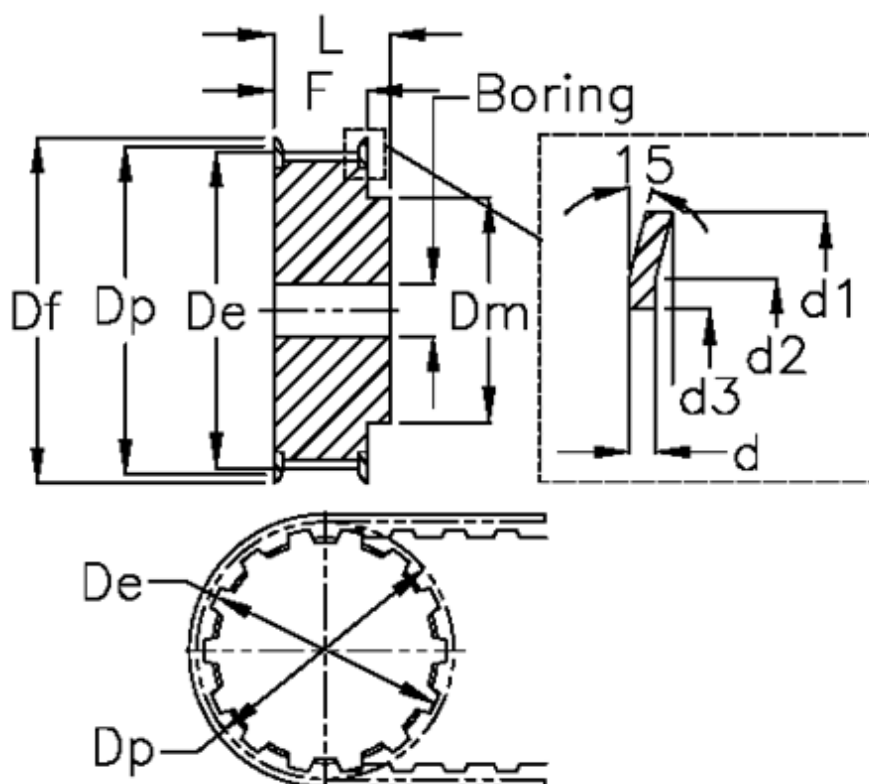


Article number: 604146026037

Description: Timing belt pulley with hub
26 XL 037

Measures



d = 1	F = 14.3	Width = XL 037
d1 = 48	Flange type = F18	
d2 = 43.5	L = 22.2	
d3 = 37	Max bore = 23	
De = 41.53	Pitch = 1/5"	
Df = 48	Pre-drilled = 6	
Dm = 30	Tooth number = 26	
Dp = 42.04	Weight = 0.14	